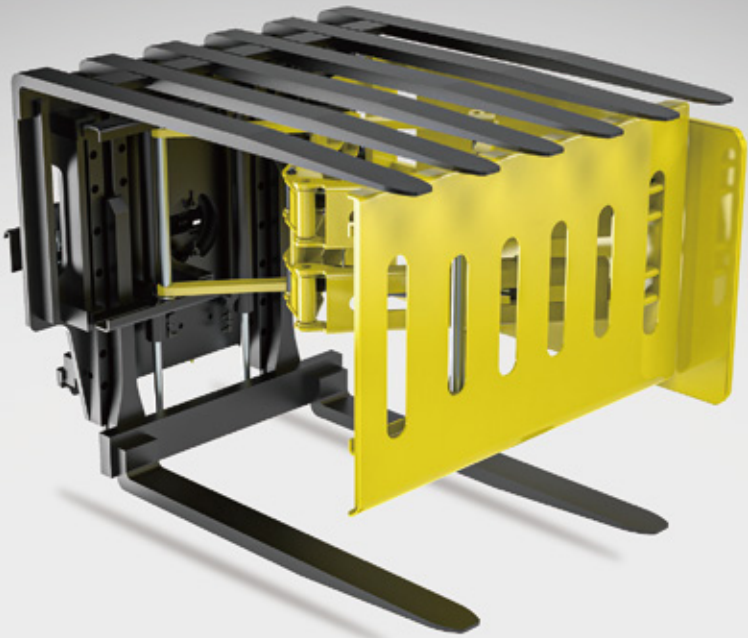


7

Pushoffs

- a Pushoffs
- b F-series Pushoffs
- c Inverta Push



STRICTA

Forklift Attachments

Pushoffs



Functions & Applications

The pushoff is designed for the safe and efficient handling of various soft bagged materials. It is ideal for operations such as loading, stacking, and pallet retrieval across industries including fertilizers, animal feed, grains, flour, salt, cement, and more. Pushoffs are often used with pallet inverters for efficient pallet recovery during loading.

Structural Features

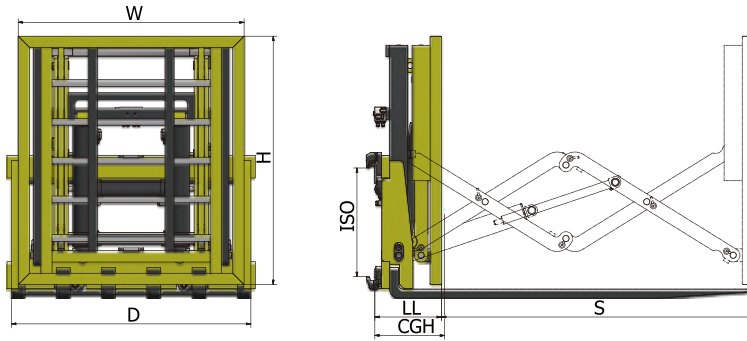
- Designed for durability and stability, the high-strength push-out or the high-torque motor, and pressure-stabilizing cylinders, combined with premium-quality seals, ensure exceptional performance for intensive, continuous operations.
- The dual-cylinder system ensures superior strength, while the X-frame design ensures optimal load distribution and operational efficiency.
- Users can customize features, including round bar forks, stabilization, rotation, side shifting, and push-out functions, to meet specific needs.

Flow and Pressure Requirements

Model No.	Min. Flow Rate	Recommended Flow Rate	Max. Flow Rate	Max. Pressure
6PLB/S	20 LPM	40 LPM	60 LPM	160 Bar

Pushoffs

7a



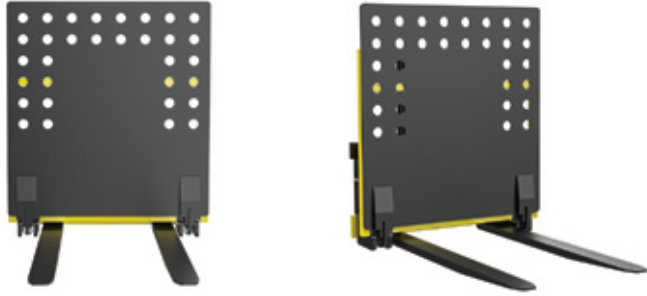
Model No.	Capacity / Load Center (kg/mm)	Mounting Class (ISO)	Push Stroke (mm)	Push Plate Size (mm)	Fork Width (mm)	Effective Thickness (mm)	Horizontal Center of Gravity (mm)	Weight (kg)
2PLS15-A6624	1500/700	ISO 2A	1400	1000x1100	1060	289	335	550
2PLS15-B6531	1500/550	ISO 3A	1100	1100x1000	1070	295	244	520
6PLS15-B6684	1500/700	ISO 3A	1400	1100x1100	1110	295	305	620
6PLS20-B6513	2000/650	ISO 3A	1300	1000x1350	960	295	305	630
6PLS20-B6631	2000/550	ISO 3A	1100	1200x1300	1130	295	307	640
6PLS20-B6624	2000/700	ISO 3A	1400	1100x1100	1060	295	305	640
6PLS20-B6642	2000/600	ISO 3A	1200	1300x1100	1125	295	276	630
6PLS20-B6753	2000/650	ISO 3A	1300	1300x1100	1260	295	299	640
6PLS20-B6664	2000/700	ISO 3A	1400	1500x1200	1305	295	332	698
6PLS20-B8884	2000/700	ISO 3A	1400	1600x1000	1481	315	395	820
8PLS20-B8923	2000/650	ISO 3A	1300	2000x1000	1924	295	360	890
8PLS25-B8923	2500/650	ISO 3A	1300	2000x1000	1924	295	374	900
6PLS35-C8723	3500/1200	ISO 4A	2320	1600x1600	1468	315	624	1380

Notes :

- 1) The rated load capacity is a designed value calculated based on the rated load center. For the actual overall capacity, please consult the forklift manufacturer.
- 2) Includes sideshifting function, two (2) additional hydraulic circuits are required from the forklift.
- 3) The listed models are ANTWELL's standard product types; tailored solutions are available to meet specific operational requirements.

7b

F-series Pushoffs



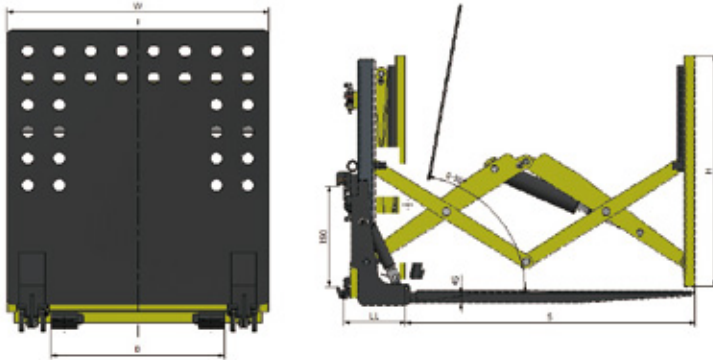
Functions & Applications

The F-Series Pushoffs are widely used for pallet recovery during loading. The faceplate of the F-Series Pushoff can be lowered. When loading goods from a roller rack, the lowered faceplate pushes off the pallet, allowing the goods to be handled on the attachment without a pallet.



F-series Pushoffs

7b



Model No.	Capacity / Load Center (kg/mm)	Mounting Class (ISO)	Push Stroke (mm)	Push Plate Size (mm)	Fork Width (mm)	Effective Thickness (mm)	Horizontal Center of Gravity (mm)	Weight (kg)
2ZPLS15-B6022	1500/600	ISO 3A	1200	1100x1100	640	293	386	660
2ZPLS15-B134	1500/700	ISO 3A	1400	1250x1100	825	293	410	700

Notes :

- 1) The rated load capacity is a designed value calculated based on the rated load center. For the actual overall capacity, please consult the forklift manufacturer.
- 2) Includes sideshifting functions, three (3) additional hydraulic circuits are required from forklift. One (1) solenoid valve can be added as request.
- 3) The listed models are ANTWELL's standard product types; tailored solutions are available to meet specific operational requirements.



7c

Inverta Push



Functions & Applications

The inverta push enables the safe and efficient handling of various soft bagged goods. It is ideal for loading, stacking, and pallet recovery in industries such as fertilizers, feed grains, flour, salt, and cement.

Structural Features

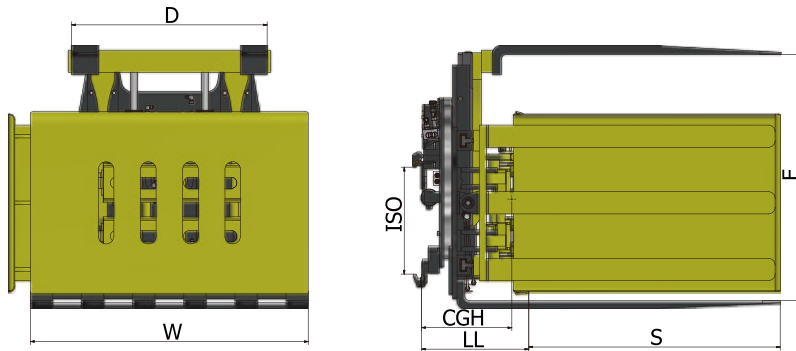
- Designed for durability and stability, the high-strength push-out or the high-torque motor, and pressure-stabilizing cylinders, combined with premium-quality seals, ensure exceptional performance for intensive, continuous operations.
- The Inverta Push is equipped with a T-shaped sliding scraper for enhanced strength and uniform force distribution.
- Users can customize features, including round bar forks, stabilization, rotation, side shifting, and push-out functions, to meet specific needs.

Flow and Pressure Requirements

Model No.	Min. Flow Rate	Max. Flow Rate	Min. Pressure	Max. Pressure
SPCR	20 LPM	40 LPM	140 Bar	160 Bar

Inverta Push

7c



Model No.	Capacity / Load Center (kg/mm)	Mounting Class (ISO)	Width * Length Of Goods (mm)	Push Stroke (mm)	Opening Range (mm)	Width of Faceplate (mm)	Effective Thickness (mm)	Horizontal Center of Gravity (mm)	Weight (kg)
6SPCR15-B7913	1500/650	ISO 3A	1100x1300	1300	900-1450	1060	482	442	1400
6SPCR15-B8931	1500/550	ISO 3A	1300x1100	1110	900-1450	1200	482	381	1370
6SPCR15-B8942	1500/600	ISO 3A	1400x1200	1210	900-1450	1250	482	412	1450
6SPCR15-B8953	1500/650	ISO 3A	1500x1300	1300	900-1450	1350	482	436	1560
6SPCR20-B8942	2000/600	ISO 3A	1400x1200	1210	900-1480	1250	487	413	1460
6SPCR20-B9953	2000/650	ISO 3A	1500x1300	1300	900-1480	1350	487	431	1550
6SPCR20-B0964	2000/700	ISO 3A	1600x1400	1440	920-1500	1450	488	486	1640
6SPCR25-C0062	2500/600	ISO 4A	1600x1200	1210	1000-1650	1450	515	483	1850

Notes :

- 1) The rated load capacity is a designed value calculated based on the rated load center. For the actual overall capacity, please consult the forklift manufacturer.
- 2) Includes rotation and sideshifting functions, four (4) additional hydraulic circuits are required from forklift. One (1) solenoid valve is included.
- 3) The listed models are ANTWELL's standard product types; tailored solutions are available to meet specific operational requirements.

