

3

Paper Roll Clamps

- a Paper Roll Clamps
- b Paper Roll Clamps - Split Arms
- c Paper Roll Clamps for Tissues



STRICTA

Forklift Attachments

Paper Roll Clamps



■ Paper Roll Clamps



■ Paper Roll Clamps - Split Arms



■ Paper Roll Clamps for Tissues

Functions & Applications

Paper roll clamps enable efficient, safe, and damage-free handling and stacking of paper rolls. They can securely grip the rolls and rotate them continuously by 360°, facilitating horizontal and vertical position changes. Ideal for pallet-free operations, they are widely used in industries such as paper manufacturing, packaging, printing, and logistics.

Structural Features

- High-strength structural design ensures durability and reliable performance, meeting the demands of continuous heavy-duty operations.
- Two arms design enhances visibility, ensuring precise and efficient paper roll handling.
- Smooth arm surfaces and slim tips allow easy access to tightly stacked rolls while protecting adjacent surfaces from damage.
- One-piece cast clamp construction offers exceptional wear resistance and longevity. Replaceable wear blocks reduce maintenance costs, while protective stops safeguard the clamp from ground impact in vertical positions.
- Integrated pressure-maintaining check valves on the arm cylinders ensure secure grip during operations, minimizing risks from hydraulic failures. Diagnostic ports facilitate quick fault detection and maintenance.
- High-strength self-lubricating joints extend bushing life, eliminating the need for regular lubrication while protecting pivot pins.
- Bi-directional hydraulic locks enable continuous 360° rotation and secure positioning at any angle.
- Standard one-piece cast clamps are ideal for a wide range of paper roll handling tasks.

Paper Roll Clamps

Flow and Pressure Requirements

| Forklift Capacity | Min. Flow Rate | Recommended Flow Rate | Max. Flow Rate | Max. Pressure |
|-------------------|----------------|-----------------------|----------------|---------------|
| 1.5 T – 2.5 T | 20 LPM | 35 Bar | 40 LPM | 160 Bar |
| 3.0 T – 3.5 T | 40 LPM | 35 Bar | 60 LPM | 160 Bar |
| 4.0 T – 5.0 T | 60 LPM | 35 Bar | 95 LPM | 160 Bar |

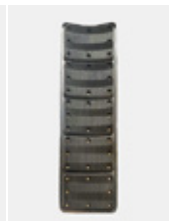
Options



Cast Steel: Standard configuration, suitable for all paper roll.



Bonded Rubber or Bolt-on Rubber : Ideal for delicate and high-grade paper rolls.

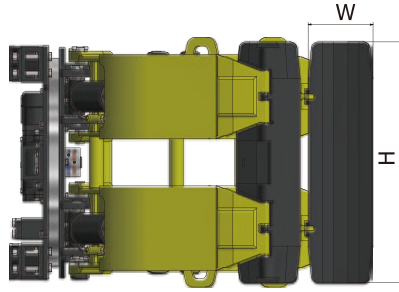
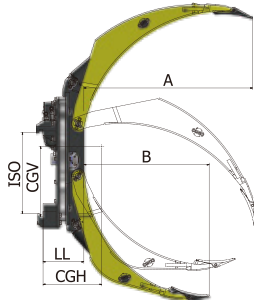


Polyurethane : Suits unwrapped, slippery paper rolls.

- Clamp dimensions are fully customizable.
- Two options of short arms: Short Arm Fixed type and Short Arm Positioned type.



Paper Roll Clamps



| Model No. | Capacity / Load Center (kg/mm) | Mounting Class (ISO) | Roll Range (mm) | Long Arm Length (mm) | Short Arm Length (mm) | Pad Dimensions W*H (mm) | Effective Thickness (mm) | Horizontal Center of Gravity (mm) | Weight (kg) |
|--------------|--------------------------------|----------------------|-----------------|----------------------|-----------------------|-------------------------|--------------------------|-----------------------------------|-------------|
| 11RCF12-A002 | 1200/600 | ISO 2A | 250-1150 | 730 | 528 | 254x490 | 231 | 252 | 460 |
| 11RCF12-A004 | 1200/600 | ISO 2A | 350-1300 | 730 | 526 | 246x490 | 240 | 260 | 450 |
| 11RCF15-A003 | 1500/650 | ISO 2A | 250-1300 | 922 | 589 | 228x750 | 229 | 302 | 630 |
| 11RCP20-B001 | 2000/650 | ISO 3A | 250-1300 | 850 | 580 | 230x840 | 245 | 310 | 688 |
| 11RCF20-B002 | 2000/650 | ISO 3A | 600-1300 | 850 | 580 | 230x840 | 245 | 310 | 679 |
| 11RCP20-B003 | 2000/800 | ISO 3A | 350-1600 | 960 | 780 | 230x840 | 232 | 344 | 765 |
| 11RCF20-B004 | 2000/800 | ISO 3A | 610-1600 | 960 | 780 | 230x840 | 232 | 344 | 752 |
| 11RCP20-B107 | 2000/725 | ISO 3A | 200-1450 | 930 | 670 | 230x840 | 238 | 320 | 740 |
| 11RCF20-B108 | 2000/725 | ISO 3A | 450-1450 | 930 | 670 | 230x840 | 238 | 320 | 729 |
| 11RCP25-B001 | 2500/650 | ISO 3A | 250-1300 | 850 | 580 | 230x840 | 245 | 310 | 730 |
| 11RCP25-B003 | 2500/800 | ISO 3A | 350-1600 | 960 | 780 | 230x840 | 232 | 344 | 815 |
| 11RCP25-B107 | 2500/725 | ISO 3A | 200-1450 | 930 | 670 | 230x840 | 238 | 320 | 774 |
| 11RCF20-B006 | 1700/925 | ISO 3A | 720-1850 | 1137 | 828 | 230x840 | 242 | 382 | 900 |
| 11RCF27-B006 | 2200/925 | ISO 3A | 720-1850 | 1146 | 839 | 254x990 | 210 | 386 | 1150 |
| 11RCP30-B001 | 3000/650 | ISO 3A | 250-1300 | 894 | 594 | 250x990 | 206 | 310 | 935 |
| 11RCP30-B003 | 3000/800 | ISO 3A | 350-1600 | 1057 | 698 | 254x990 | 210 | 356 | 1030 |
| 11RCP35-C001 | 3500/650 | ISO 4A | 280-1300 | 859 | 594 | 250x990 | 252 | 328 | 1004 |
| 11RCF35-C003 | 3500/800 | ISO 4A | 610-1600 | 960 | 780 | 250x990 | 256 | 375 | 1105 |
| 11RCF35-B023 | 2300/1150 | ISO 3A | 960-2300 | 1072 | 703 | 254x990 | 226 | 418 | 1640 |
| 11RCF35-C023 | 2300/1150 | ISO 4A | 960-2300 | 1072 | 703 | 254x990 | 226 | 418 | 1640 |
| 11RCF40-C022 | 2700/1100 | ISO 4A | 850-2200 | 1404 | 1040 | 254x990 | 231 | 420 | 1530 |
| 11RCF45-C023 | 3200/1150 | ISO 4A | 960-2300 | 1551 | 1036 | 254x990 | 226 | 418 | 1640 |
| 11RCF45-C025 | 3000/1250 | ISO 4A | 1250-2500 | 1560 | 1112 | 250x990 | 226 | 437 | 1730 |

Paper Roll Clamps

3a

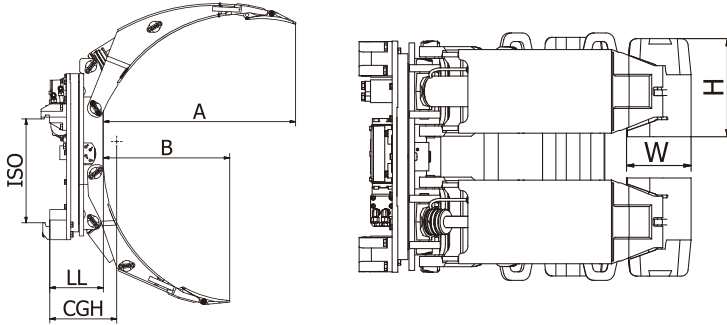
Notes:

1) The rated load capacity is a designed value calculated based on the load center of the largest diameter paper roll. For the actual overall capacity, please consult the forklift manufacturer.

2) "RCF" refers to Short Arm Fixed type, two (2) additional hydraulic circuits are required from the forklift.
"RCP" refers to Short Arm Positioned type, two (2) additional hydraulic circuits are required from the forklift.

3) The listed models are ANTWELL's standard product types; tailored solutions are available to meet specific operational requirements.

Paper Roll Clamps - Split Arms



| Model No. | Capacity / Load Center (kg/mm) | Mounting Class (ISO) | Roll Range (mm) | Long Arm Length (mm) | Short Arm Length (mm) | Pad size W*H (mm) | Effective Thickness (mm) | Horizontal Center of Gravity (mm) | Weight (kg) |
|--------------|--------------------------------|----------------------|-----------------|----------------------|-----------------------|-------------------|--------------------------|-----------------------------------|-------------|
| 11RDF20-B001 | 2000/650 | ISO 3A | 250-1300 | 850 | 580 | 230x840 | 245 | 310 | 688 |
| 11RDF20-B002 | 2000/650 | ISO 3A | 600-1300 | 850 | 580 | 230x840 | 245 | 310 | 679 |
| 11RDF20-B003 | 2000/800 | ISO 3A | 350-1600 | 960 | 780 | 230x840 | 232 | 344 | 765 |
| 11RDF20-B004 | 2000/800 | ISO 3A | 610-1600 | 960 | 780 | 230x840 | 232 | 344 | 752 |
| 11RDF20-B107 | 2000/725 | ISO 3A | 200-1450 | 930 | 670 | 230x840 | 238 | 320 | 740 |
| 11RDF20-B108 | 2000/725 | ISO 3A | 450-1450 | 930 | 670 | 230x840 | 238 | 320 | 729 |

Notes :

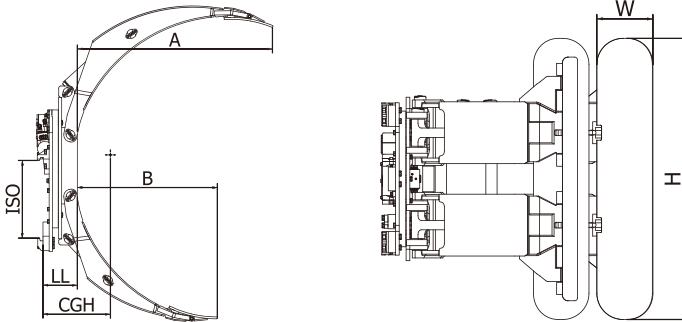
1) The rated load capacity is a designed value calculated based on the load center of the largest diameter paper roll. For the actual overall capacity, please consult the forklift manufacturer.

2) Two (2) additional hydraulic circuits are required from the forklift.

3) The listed models are ANTWELL's standard product types; tailored solutions are available to meet specific operational requirements.



Paper Roll Clamps for Tissues



| Model No. | Capacity / Load Center (kg/mm) | Mounting Class (ISO) | Roll Range (mm) | Long Arm Length (mm) | Short Arm Length (mm) | Pad size (mm) | Effective Thickness (mm) | Horizontal Center of Gravity (mm) | Weight (kg) |
|--------------|--------------------------------|----------------------|-----------------|----------------------|-----------------------|---------------|--------------------------|-----------------------------------|-------------|
| 11RTF20-B004 | 2000/800 | ISO 3A | 610-1600 | 1023 | 770 | 300x1500 | 250 | 388 | 865 |
| 11RTF20-B006 | 1600/915 | ISO 3A | 610-1830 | 1180 | 870 | 300x1500 | 242 | 428 | 950 |
| 11RTF45-C025 | 2700/1250 | ISO 4A | 1050-2500 | 1600 | 1160 | 400x1500 | 226 | 437 | 1710 |
| 11RTF45-C030 | 2500/1500 | ISO 4A | 1600-3000 | 1850 | 1354 | 300x1500 | 226 | 529 | 2050 |

Notes :

- 1) The rated load capacity is a designed value calculated based on the load center of the largest diameter paper roll. For the actual overall capacity, please consult the forklift manufacturer.
- 2) Two (2) additional hydraulic circuits are required from the forklift.
- 3) The listed models are ANTWELL's standard product types; tailored solutions are available to meet specific operational requirements.



Paper Roll Clamps for Tissues

Options



Single Diameter Herringbone Pads :
Ideal for dense tissue, such as industrial toweling.



Double Diameter Herringbone Pads :
Ideal for medium dense tissue, such as common facial and toweling grades. Flared end allows to reduce cutting of tissue at pad ends. Full radius edge allows paper to transition around pad without tearing.