

16g

# Pallet Inverter



■ F-series Invertapush



■ A-series Invertapush



■ A-series Invertapush

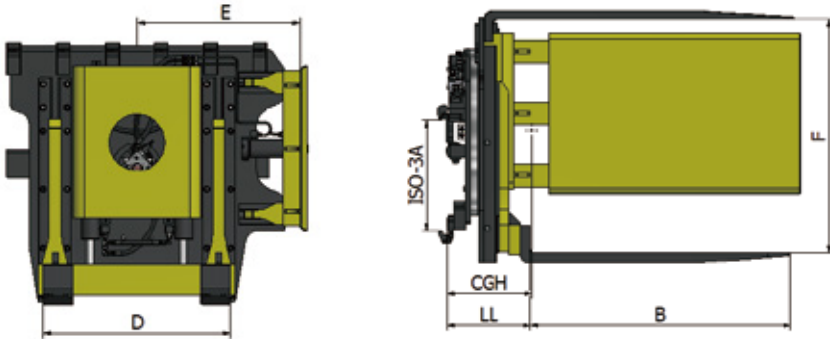
## Functions & Applications

Keep your pallets in-house and reduce overall pallet inventory. The pallet inverter is ideal for handling unit loads of bags or cartons, such as fertilizer, grain, cement, mail, sugar, canned goods, boxed goods, glass, and plastic. It is typically used in conjunction with a pushoff.



# A-series Inverter

16g  
(1)



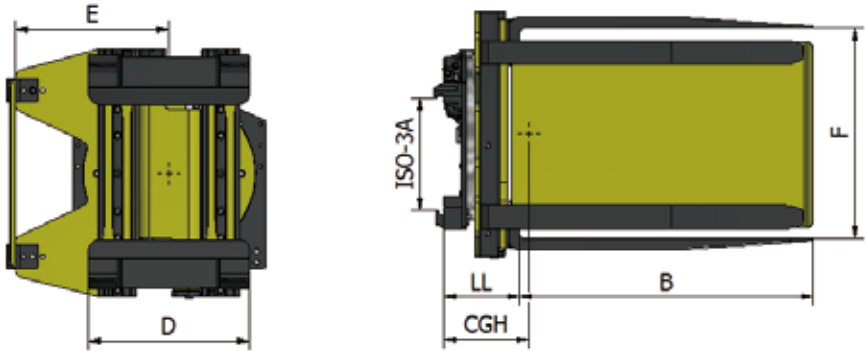
Model No.	Capacity / Load Center (kg/mm)	Mounting Class (ISO)	Width and length of goods (mm)	Fork Length (mm)	Distance Between Center Line And Side Stabilizer (mm)	Opening Range (mm)	Fork Spacing (mm)	Effective Thickness (mm)	Horizontal Center of Gravity (mm)	Weight (kg)
6SBCR15-B7831	1500/550	ISO 3A	1300x1100	1090	640-790	1535-2050	740	312	351	1170
6SBCR15-B7331R	1750/550	ISO 3A	1300x1100	1090	640-790	1700-2300	740	312	353	1240
6SCR15-B7431	1700/550	ISO 3A	1300x1100	1090	640-790	1715-2400	780	335	360	1190
6SCR15-B8942	1500/600	ISO 3A	1400x1200	1200	660-810	900-1450	800	327	337	1050
6SCR20-B9064	2000/700	ISO 3A	1600x1400	1370	750-920	1000-1580	880	369	385	1140

## Notes :

- 1) The rated load capacity is a designed value calculated based on the rated load center. For the actual overall capacity, please consult the forklift manufacturer.
- 2) "SBCR" refers to No Sideshifting type, two (2) additional hydraulic circuits are required from the forklift. "SCR" refers to Sideshifting type, three (3) additional hydraulic circuits are required from the forklift.
- 3) The listed models are ANTWELL's standard product types; tailored solutions are available to meet specific operational requirements.

16g  
(2)

# F-series Inverter



Model No.	Capacity / Load Center (kg/mm)	Mounting Class (ISO)	Width and length of goods (mm)	Fork Length (mm)	Distance Between Center Line And Side Stabilizer (mm)	Opening Range (mm)	Fork Spacing (mm)	Effective Thickness (mm)	Horizontal Center of Gravity (mm)	Weight (kg)
10TCR15-B8042	1500/600	ISO 3A	1400x1200	1200	700	500-1800	996	323	386	960
10TCR20-B122	2000/685	ISO 3A	1200x1200	1250	520	540-1700	700	323	424	930

#### Notes :

- 1) The rated load capacity is a designed value calculated based on the rated load center. For the actual overall capacity, please consult the forklift manufacturer.
- 2) Two (2) additional hydraulic circuits are required from forklift.
- 3) The listed models are ANTWELL's standard product types; tailored solutions are available to meet specific operational requirements.

# Stationary Pallet Inverter

**16g  
(3)**

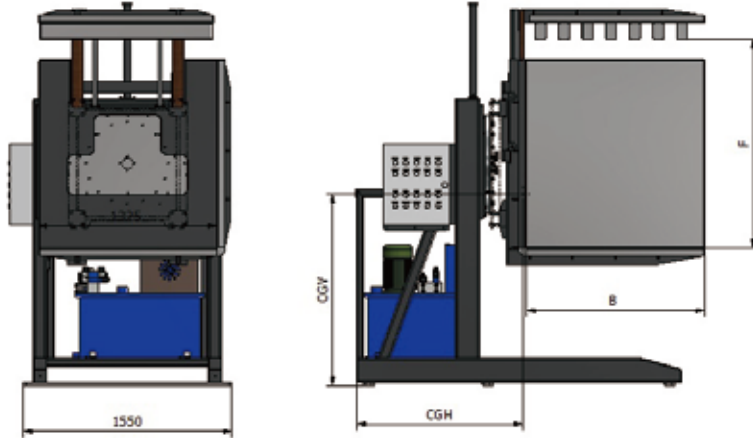
## Functions & Applications

Designed for efficient and cost-effective load inversion, Unlike previously mentioned pallet inverters, the stationary pallet inverter is floor-mounted rather than forklift-mounted. This design eliminates load capacity limitations associated with forklifts, enhancing both operational safety and efficiency.



16g  
(3)

# Stationary Pallet Inverter



Model No.	Capacity / Load Center Capacity (kg)	Rotation	Fork Length (mm)	Opening Range (mm)	Vertical Center of Gravity (mm)	Horizontal Center of Gravity (mm)	Weight (kg)
6LTS15-B031	1500	180°	1325	947-1547	1423	1233	2300
6LTS15-B142	1500	180°	1356	1200-1600	1160	1120	2200
6LTS15-B053	1500	180°	1550	1450-1900	1550	1260	2300

#### Notes :

- 1) Working pressure: 16 MPa, Voltage: 380V.
- 2) It can be customized to rotate left or right based on the site conditions.
- 3) It can be customized according to the pallet dimensions provided by the customer.
- 4) The listed models are ANTWELL's standard product types; tailored solutions are available to meet specific operational requirements.

# Load or Pallet Transfer Station

16h



## Functions & Applications

The Load or Pallet Transfer Station facilitates the transfer of loads from pallets to slipsheets, cost-effective shipping pallets, customer pallets, or push/pull platens for floor loading. Opting for slip sheets or floor loading helps minimize pallet inventory and lowers expenses related to storage, maintenance, and retrieval. They are Widely used in the chemical and warehousing & distribution industries.